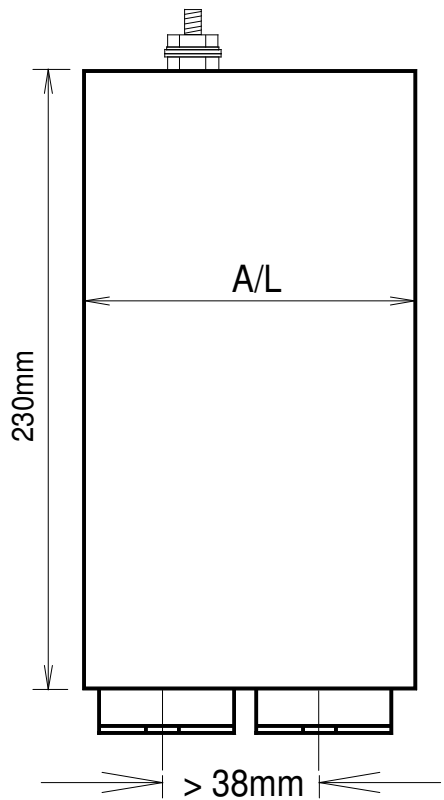
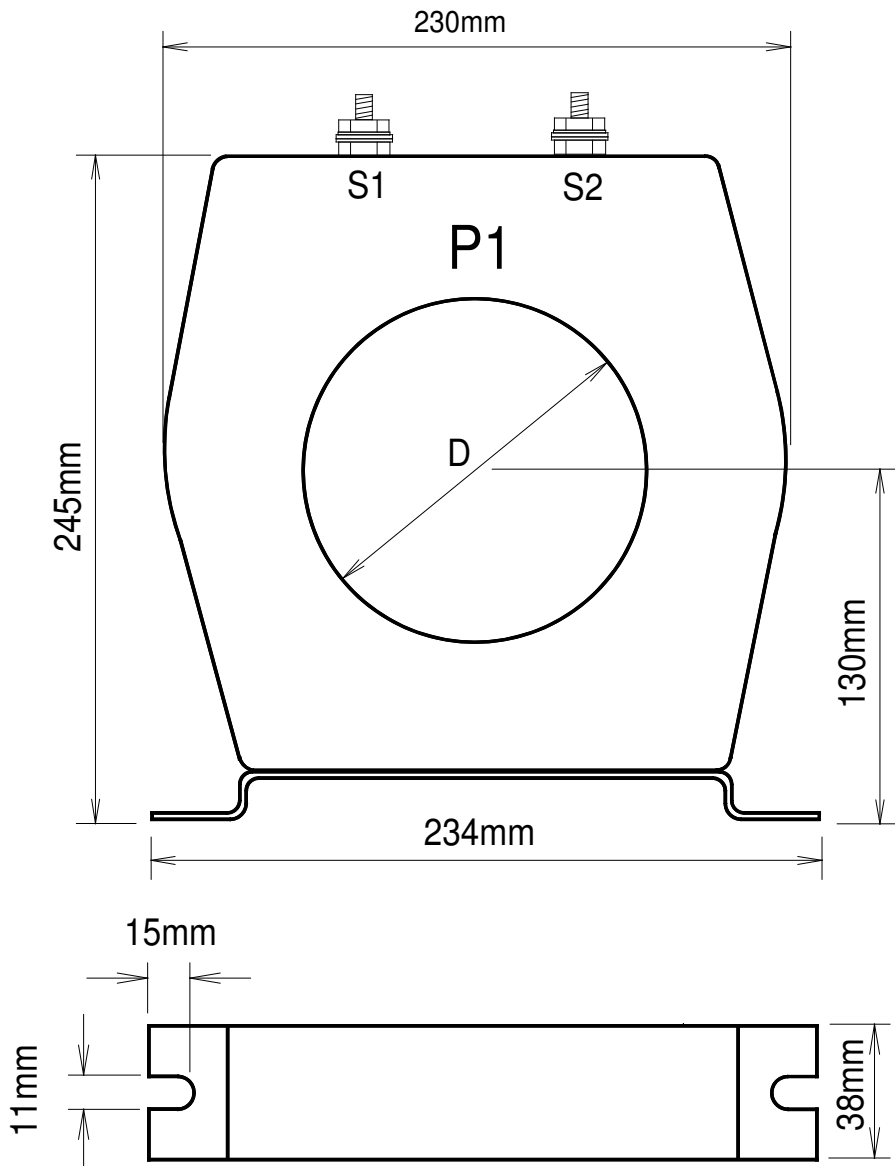


BWM ELECTRICAL ENGINEERING
Current Transformer

TYPE B11 - Standard feet



FOR A/L GREATER THAN 70mm,
2 FEET ARE FITTED AS BELOW