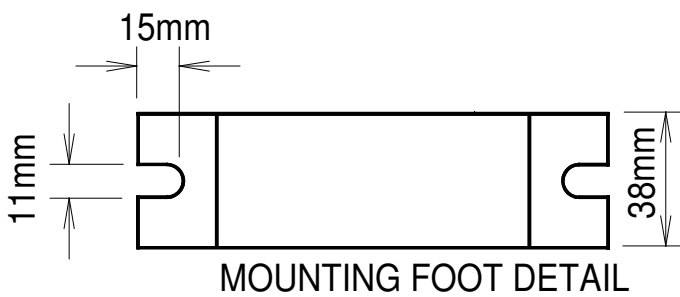
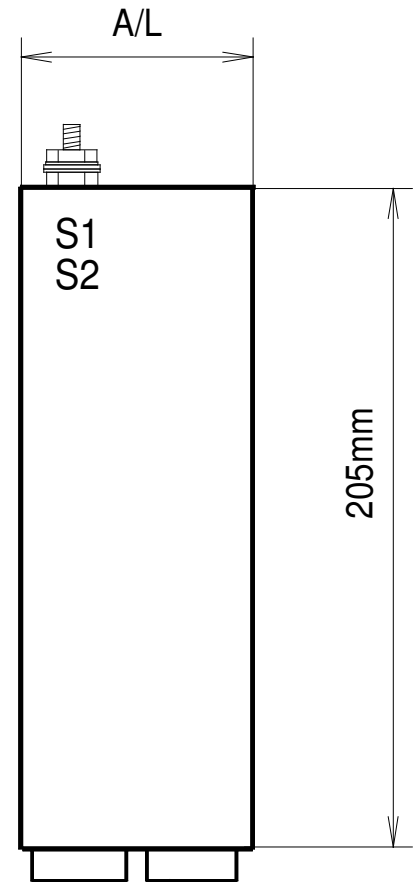
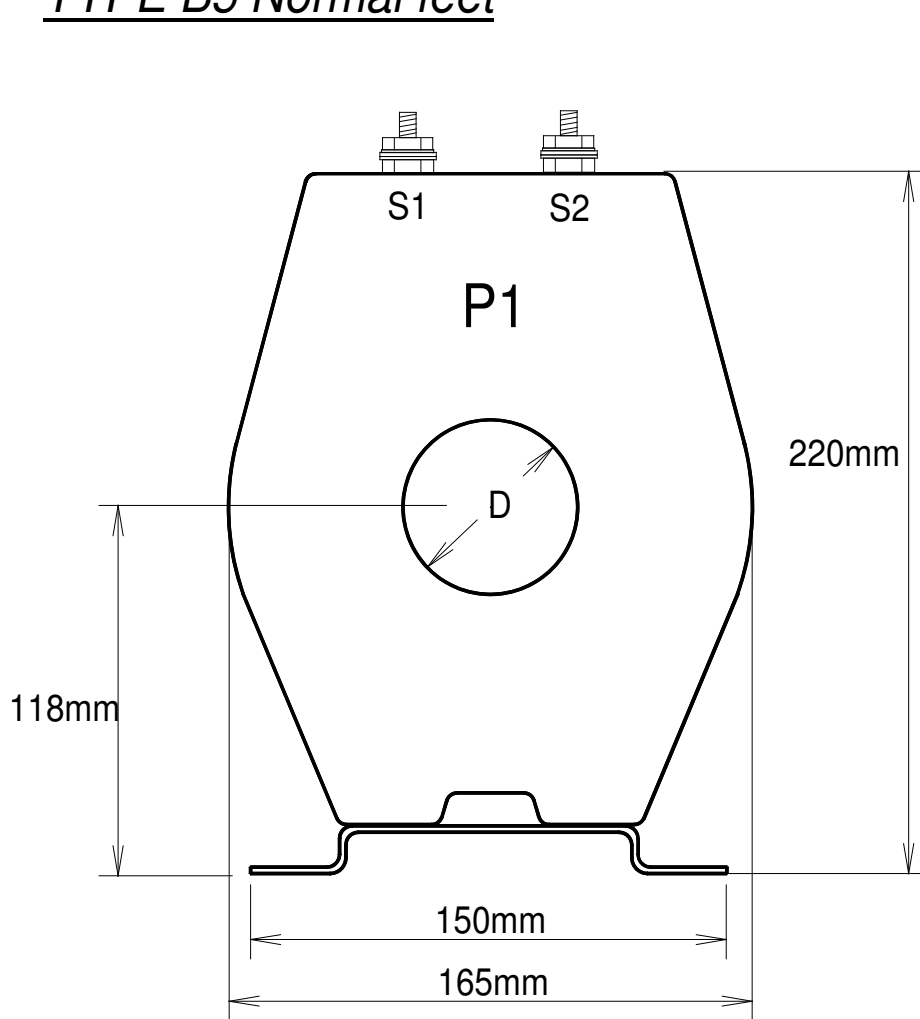


# **BWM ELECTRICAL ENGINEERING**

## **Current Transformer**

### TYPE B5 Normal feet



FOR A/L GREATER THAN 70mm,  
2 FEET ARE FITTED AS BELOW

