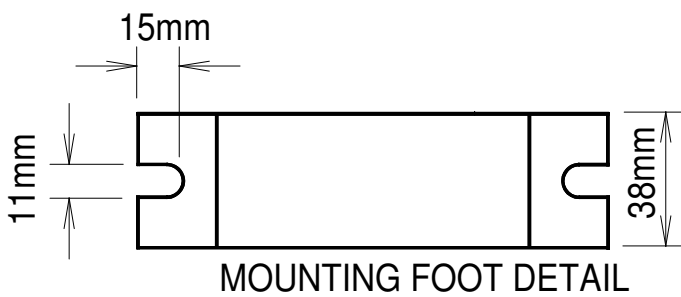
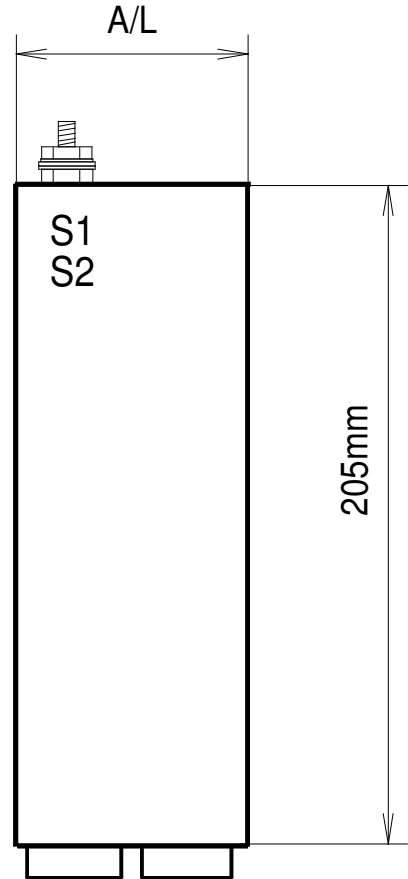
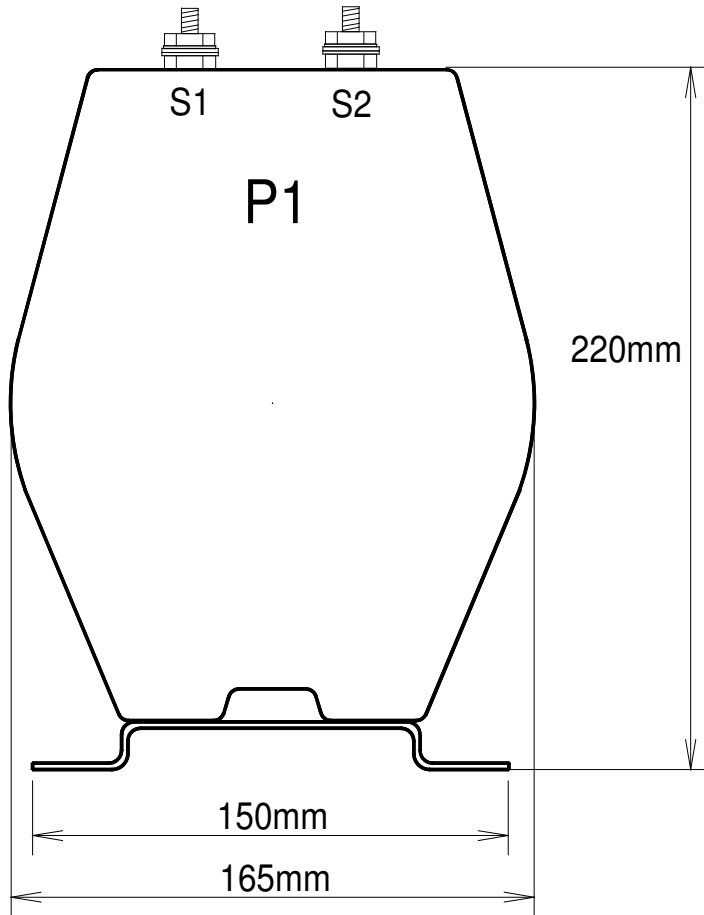


BWM ELECTRICAL ENGINEERING

Current Transformer

TYPE B5/0 Normal feet



FOR A/L GREATER THAN 70mm,
2 FEET ARE FITTED AS BELOW

